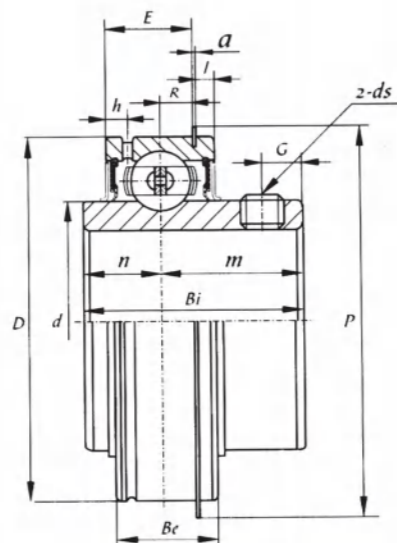


带止动环深沟球轴承  
Ball Bearings  
(with locating snap ring)

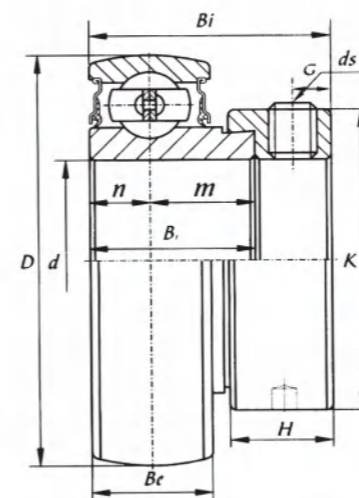
SER 200 (normal-duty)



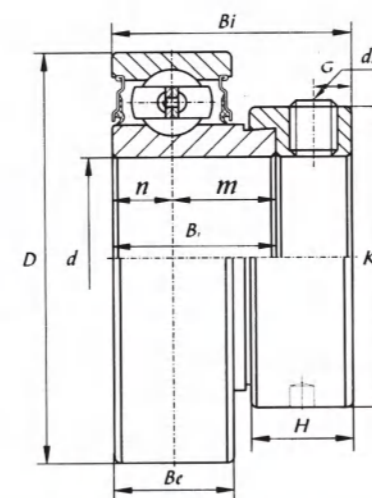
轴承代号 Bearing No.	轴径 Shaft Dia. d		外形尺寸(毫米) Dimensions (mm)												额定动负荷 Basic Dynamic Load Rating (kg)	额定静负荷 Basic Static Load Rating (kg)	重量 Weight (kg)	
	(in.)	(mm)	D	Bi	Be	n	m	E	a	h	R	J	P	G				ds
SER201 201-8	1/2	12	47	31.0	15.9	11.5	19.5	12.09	1.07	4.0	4.14	2.46	52.7	5.0	M6X1.0	1010	630	0.22
SER202 202-10	5/8	15	47	31.0	15.9	11.5	19.5	12.09	1.07	4.0	4.14	2.46	52.7	5.0	M6X1.0	1010	630	0.22
SER203 203-11	11/16	17	47	31.0	15.9	11.5	19.5	12.09	1.07	4.0	4.14	2.46	52.7	5.0	M6X1.0	1010	630	0.22
SER204-12 204	3/4	20	47	31.0	15.9	11.5	19.5	12.09	1.07	4.0	4.14	2.46	52.7	5.0	M6X1.0	1010	630	0.21
SER205-14 205-15 205	7/8 15/16	25	52	34.9	19.1	13.1	21.8	15.29	1.07	5.2	5.74	2.46	57.9	5.6	M6X1.0	1100	710	0.27
SER206-18 206	1 1/8	30	62	38.1	22.2	15.9	22.2	17.02	1.65	5.6	5.92	3.28	67.7	5.6	M6X1.0	1530	1020	0.39
SER206-19 206-20	1 3/16 1 1/4	30	62	38.1	22.2	15.9	22.2	17.02	1.65	5.6	5.92	3.28	67.7	5.6	M6X1.0	1530	1020	0.39
SER207-20 207-22 207	1 1/4 1 3/8	35	72	42.9	23.8	17.5	25.4	18.62	1.65	5.6	6.72	3.28	78.6	6.4	M8X1.0	2020	1390	0.56
SER207-23	1 7/16	35	72	42.9	23.8	17.5	25.4	18.62	1.65	5.6	6.72	3.28	78.6	6.4	M8X1.0	2020	1390	0.56
SER208-24 208	1 1/2	40	80	49.2	27.8	19.0	30.2	22.62	1.65	6.4	8.72	3.28	86.6	8.0	M8X1.0	2280	1590	0.72
SER209-26 209-27 209-28 209	1 5/8 1 11/16 1 3/4	45	85	49.2	27.8	19.0	30.2	22.62	1.65	6.4	8.72	3.28	91.6	8.0	M8X1.0	2560	1810	0.90
SER210-30 210-31 210	1 7/8 1 15/16	50	90	51.6	28.6	19.0	32.6	22.62	2.41	7.5	8.32	3.28	96.5	9.5	M10X1.0	2750	2020	0.93
SER210-32 210	2	50	90	51.6	28.6	19.0	32.6	22.62	2.41	7.5	8.32	3.28	96.5	9.5	M10X1.0	2750	2020	0.93
SER211-32 211	2	55	100	55.6	30.2	22.2	33.4	24.22	2.41	7.5	9.12	3.28	106.5	9.5	M10X1.0	3400	2550	1.29
SER211-35 211	2 3/16	55	100	55.6	30.2	22.2	33.4	24.22	2.41	7.5	9.12	3.28	106.5	9.5	M10X1.0	3400	2550	1.29
SER212-36 212	2 1/4	60	110	65.1	31.8	25.4	39.7	25.82	2.41	7.5	9.92	3.28	116.6	11.1	M10X1.0	4100	3150	1.71
SER212-39 212-39	2 7/16	60	110	65.1	31.8	25.4	39.7	25.82	2.41	7.5	9.92	3.28	116.6	11.1	M10X1.0	4100	3150	1.71

带偏心套球轴承  
Ball Bearings  
(with eccentric collar)

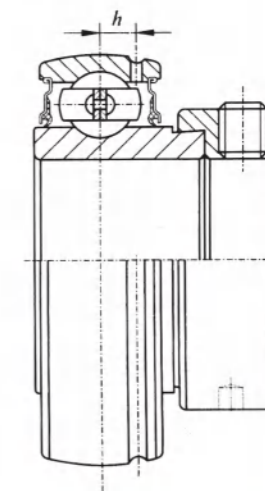
SA 200 (light-duty)  
Spherical O.D.



CSA 200 (light-duty)  
Cylindrical O.D.



SA 200G  
Relubricatable type



轴承代号 Bearing No.	轴径 Shaft Dia. d		外形尺寸(毫米) Dimensions (mm)										额定动负荷 Basic Dynamic Load Rating (N)	额定静负荷 Basic Static Load Rating (N)	重量 Weight (kg)	
	(in.)	(mm)	Be	D	B1	n	m	Bi	K	H	G	h				ds
SA201 201-8	1/2	12	12	40	19.1	6.0	13.1	28.6	28.6	13.5	5.0	3.6	M6X1.0	9600	4600	0.13
SA202 202-10	5/8	15	12	40	19.1	6.0	13.1	28.6	28.6	13.5	5.0	3.6	M6X1.0	9600	4600	0.12
SA203 203-11	11/16	17	12	40	19.1	6.0	13.1	28.6	28.6	13.5	5.0	3.6	M6X1.0	9600	4600	0.10
SA204-12 204	3/4	20	14	47	21.5	7.5	14.5	31.0	33.3	13.5	5.0	4	M6X1.0	12800	6650	0.16
SA205-14 205-15 205-16	7/8 1	25	15	52	21.5	7.5	14	31.0	38.1	13.5	5.0	4.3	M6X1.0	14000	7880	0.19
SA206-18 206	1 1/8	30	16	62	23.8	9.0	14.8	35.7	44.5	15.9	6.0	5	M8X1.0	19500	11200	0.30
SA206-19 206-20	1 3/16 1 1/4	30	16	62	23.8	9.0	14.8	35.7	44.5	15.9	6.0	5	M8X1.0	19500	11200	0.30
SA207-20 207-22 207	1 1/4 1 3/8	35	17	72	25.4	9.5	15.9	38.9	55.6	17.5	6.5	5.7	M8X1.0	25700	15200	0.45
SA207-23	1 7/16	35	17	72	25.4	9.5	15.9	38.9	55.6	17.5	6.5	5.7	M8X1.0	25700	15200	0.45
SA208-24 208-25 208	1 1/2 1 9/16	40	18	80	30.2	11	19.2	43.7	60.3	18.3	6.5	6.2	M8X1.0	29600	18200	0.60
SA209-26 209-27 209-28 209	1 5/8 1 11/16 1 3/4	45	19	85	30.2	11	19.2	43.7	63.5	18.3	6.5	6.8	M8X1.0	31850	20800	0.64
SA210-30 210-31 210	1 7/8 1 15/16	50	20	90	30.2	11	19.2	43.7	69.9	18.3	6.5	6.5	M8X1.0	35100	23200	0.71
SA211-32 211-34 211	2 2 1/8	55	21	100	32.5	12	20.5	48.4	76.2	20.7	8	7.2	M10X1.0	43550	29200	0.87
SA211-35 211	2 3/16	55	21	100	32.5	12	20.5	48.4	76.2	20.7	8	7.2	M10X1.0	43550	29200	0.87
SA212-36 212 212-38 212-39	2 1/4 2 3/8 2 7/16	60	22	110	37.2	13.5	21.4	53.1	84.2	22.3	8	8	M10X1.0	47800	32800	1.3